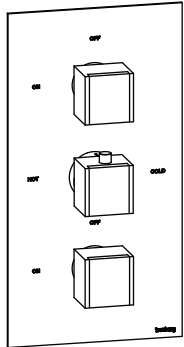


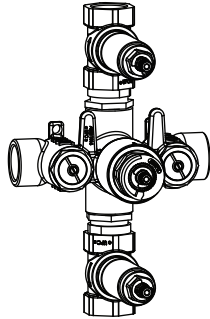


150.4401 | 3/4" Thermostatic Valve With 2 Independent Volume Controls

SPECIFICATIONS:



Trim
[150.4401T**]



Valve
[TVH.4401]

- Turn middle knob to control temperature.
- Turn top knob to control water flow from top output.
- Turn bottom to control water flow from bottom output.
- Thermostatic Valve Flow Rate - 13.0 GPM @ 60 PSI
- Both outputs can be activated at once.
- Extension Available - TVH.4401E**

Belgian Mirror Finish



Legislation Compliance

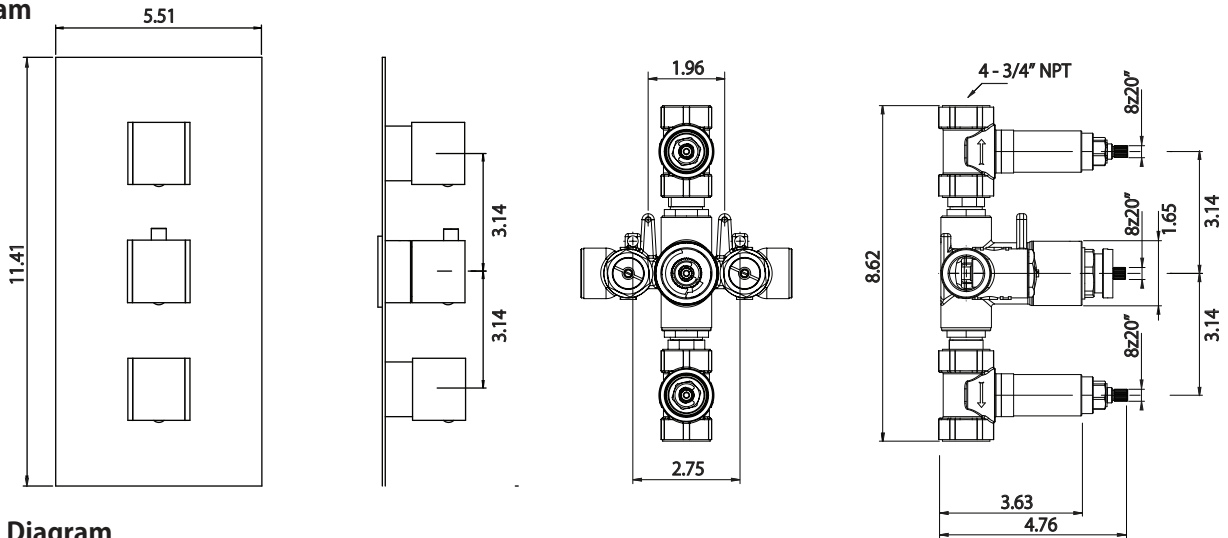


ZeroDrip Technology

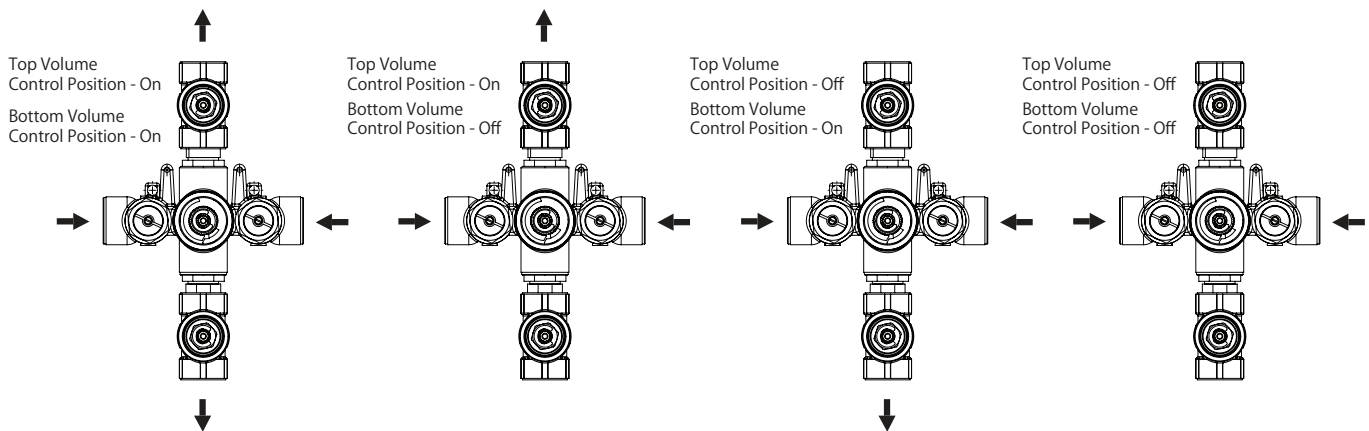


See Spec Sheet For
TVH.4401 For Detailed
Information On Valve.

Technical Diagram



Water Diversion Diagram



TVH.4401 | 3/4" Thermostatic Valve With 2 Independent Volume Controls Page 1 of 2



SPECIFICATIONS:

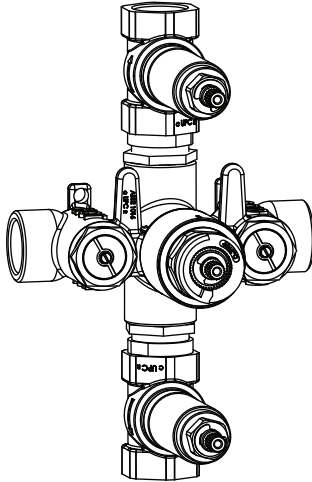
- Turn middle knob to control temperature.
- Turn top knob to control water flow from top output.
- Turn bottom to control water flow from bottom output.
- Thermostatic Valve Flow Rate - 13.0 GPM @ 60 PSI

STANDARDS:

- ASME A112.18.1 / CSA B125.1

WARRANTY:

- Limited lifetime warranty to the original consumer purchaser against finish and workmanship



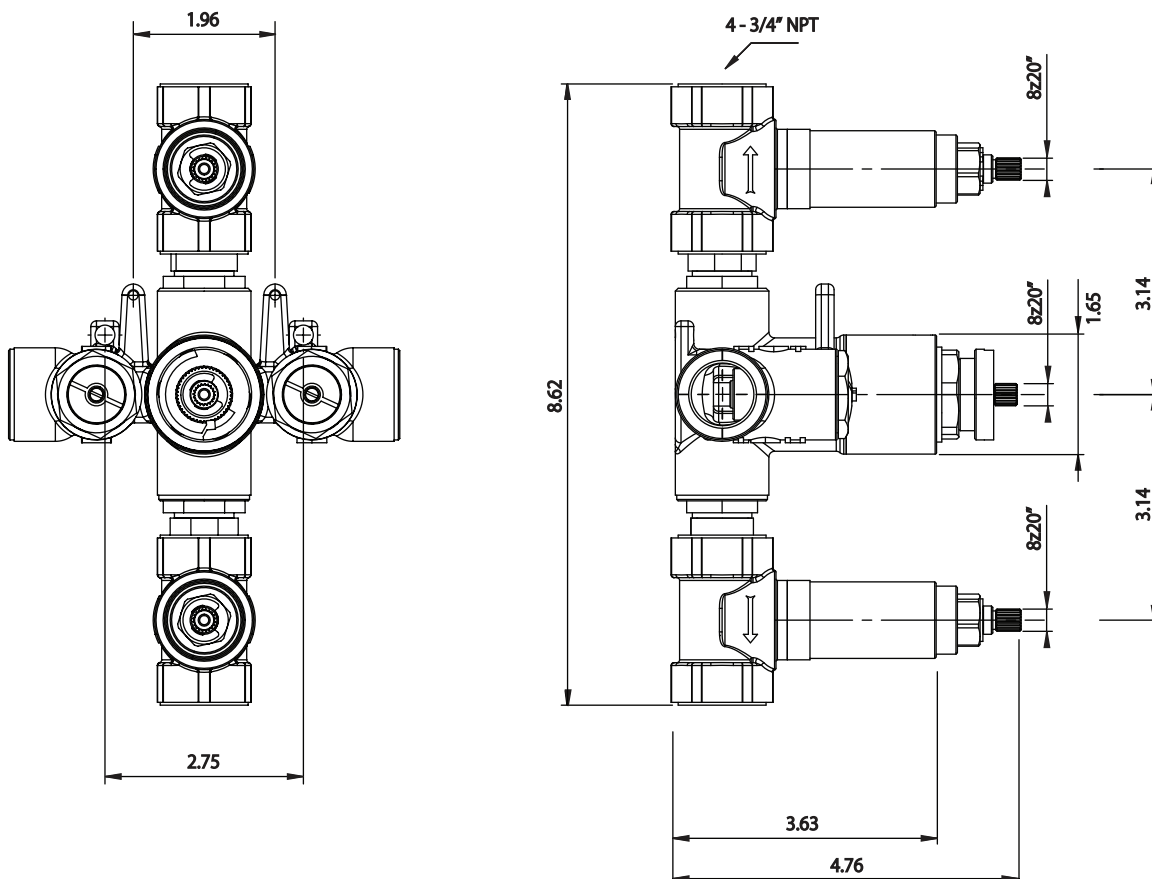
Legislation Compliance



ZeroDrip Technology



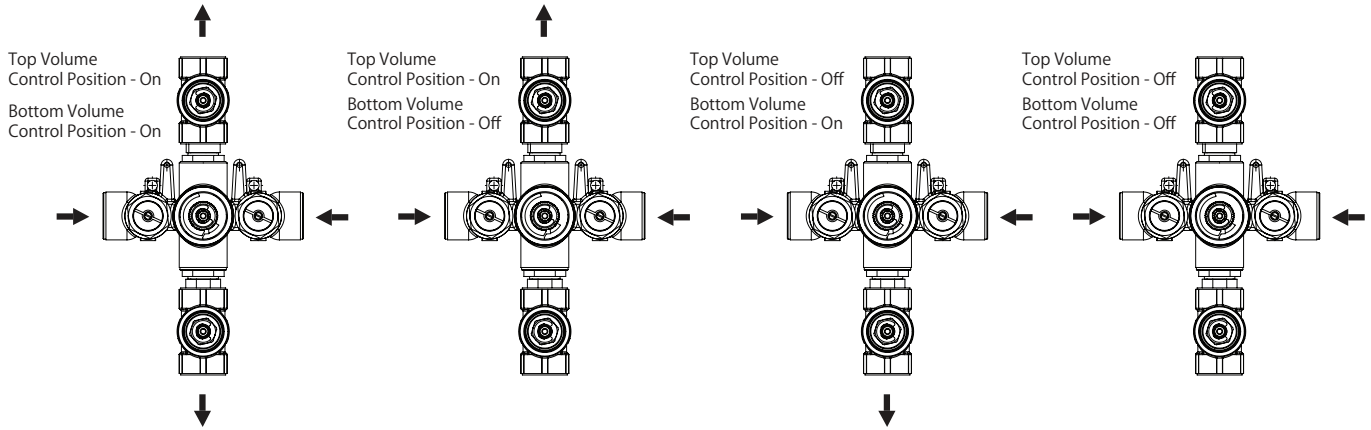
Technical Diagram



TVH.4401 | 3/4" Thermostatic Valve With 2 Independent Volume Controls Page 2 of 2



Water Flow Diagram



a

b